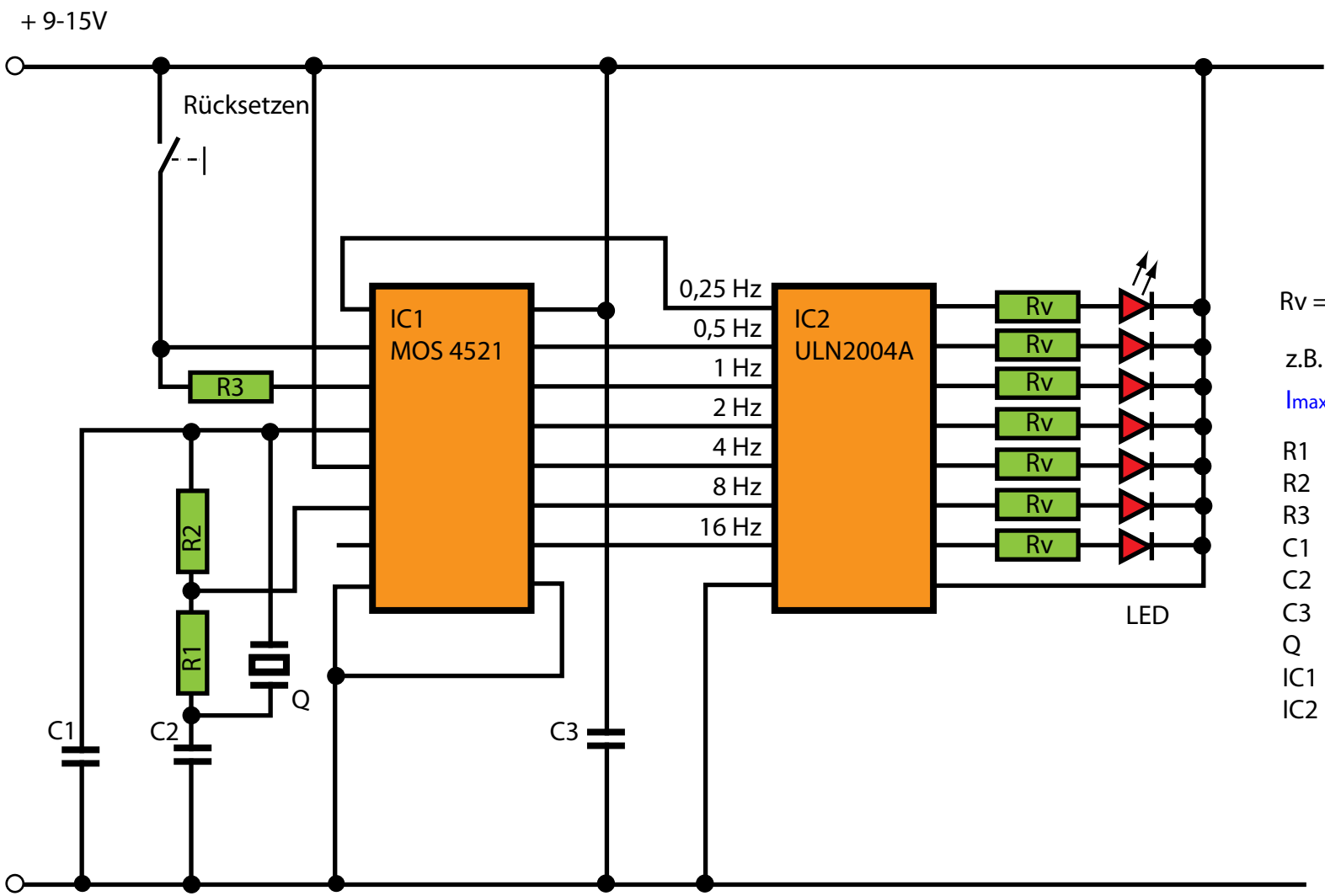


Quarz-Taktgenerator



- $R_v = U_B / I_{LED}$
 z.B. $9\text{ V} / 0,02\text{ A} = 450\ \Omega$
 $I_{max} = 500\text{ mA}$
- | | |
|-----|--------------|
| R1 | 2,2 k |
| R2 | 4,7 M |
| R3 | 100 k |
| C1 | 22 pF |
| C2 | 82 pF |
| C3 | 100 nF |
| Q | 4,194304 MHz |
| IC1 | MOS4521 |
| IC2 | ULN2004A |